

# TECHNICAL INFORMATION



PRODUCT

P 1 / 19

**Model No.** ▶ 4340CT, 4340FCT

**Description** ▶ Jig Saw

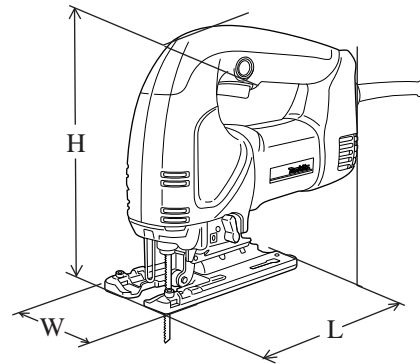
## CONCEPT AND MAIN APPLICATIONS

The above mentioned top handle type jig saw is the advanced version of the existing model 4304T series.

Its brief benefits and features are

- \* New tool less blade change system
- \* Incredibly low vibration and noise level
- \* Built-in electronic control system for keeping constant speed and soft start
- \* Pre-setting speed dial for optimal speed setting

In addition to the above features, Model 4340FCT is equipped with LED job light for easy tracing your cutting line.



Dimensions : mm ( " )	
Length ( L )	236 (9-1/4)
Height ( H )	204 (8)
Width ( W )	73 (2-7/8)

## Specification

Voltage (V)	Current (A)	Cycle (Hz)	Continuous Rating (W)		Max. Output(W)
			Input	Output	
110	6.9	50 / 60	720	320	700
120	6.3	50 / 60	720	320	700
220	3.4	50 / 60	720	320	700
230	3.3	50 / 60	720	320	700
240	3.2	50 / 60	720	320	700

Strokes per min. : spm.= min.-1	800 - 2,800	
Length of Stroke : mm ( " )	26 ( 1 )	
Blade shank	BOSCH Type	Yes
	MAKITA Type	
Orbital action of blade	Yes / 3 stages	
Max. cutting capacities : mm ( " )	Wood	* 135 (5-5/16)
	Mild Steel	10 (3/8)
	Aluminum	20 (25/32)

Electronic	Speed control	Yes
	Soft start	Yes
	Variable speed	Yes
Protection from electric shock		by double insulation
Net weight : Kg (lbs.)		2.4 (5.3)
Cord length : m (ft)		2.5 (8.2)

\* With attaching jig saw blade No. B-16L(optoinal accessory),

## Standard equipment

- \* Jig saw blade set (including B-10: 2 pcs., BR-13: 2 pcs., B-22: 2 pcs.)..... 1 set
- \* Cover plate ..... 1 pc.
- \* Kerf board ..... 1 pc.
- \* Hex wrench ..... 1 pc.
- \* Dust nozzle (only for Europe) ..... 1 pc.
- \* Plastic carrying case ..... 1 pc.

< Note > The standard equipment for the tool shown may differ from country to country.

## Optional accessories

- |                       |                         |                         |                          |
|-----------------------|-------------------------|-------------------------|--------------------------|
| * Guide rule          | * Jig saw blade No.B-8  | * Jig saw blade No.B-17 | * Jig saw blade No.B-26  |
| * Guide rail set      | * Jig saw blade No.B-10 | * Jig saw blade No.B-18 | * Jig saw blade No.B-27  |
| * Guide rail adaptor  | * Jig saw blade No.B-11 | * Jig saw blade No.B-19 | * Jig saw blade No.B-16L |
| * Kerf board          | * Jig saw blade No.B-12 | * Jig saw blade No.B-21 | * Jig saw blade No.BR-13 |
| * Dust nozzle         | * Jig saw blade No.B-13 | * Jig saw blade No.B-22 | * Plastic base plate     |
| * Hose                | * Jig saw blade No.B-14 | * Jig saw blade No.B-23 |                          |
| * Jig saw blade No.51 | * Jig saw blade No.B-15 | * Jig saw blade No.B-24 |                          |
| * Jig saw blade No.58 | * Jig saw blade No.B-16 | * Jig saw blade No.B-25 |                          |

► Features and benefits

4340CT

4340FCT

Incredibly low vibration and noise level

Superiority to the competitors' products in cutting speed  
See the graph at page 4.

Tough cord guard.  
Excellent in flexibility to protect cable from disconnection

Reciprocating mechanism unit is highly protected from saw dust

Aluminum gear housing

Kerf board can be attached for burr-free work

Built in new slider of squared form for precise cutting work

LED job light for lighting up at working point in shadow (only 4340FCT)

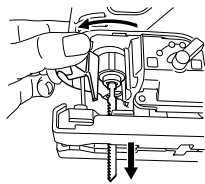
Change lever for selecting straight + 3 different orbital cutting action

Adjustable bevel angle 0° - 45° to left and right

Easily attachable cover plate (plastic) to protect the surface of sensitive materials, like as decorative veneers or plastics, etc.

\* Optional accessory

Quick blade change thanks to new tool less blade clamping system. Not only BOSCH type but also FESTO's thick type blade can be attached.



Extended service life of back roller by installing needle bearing

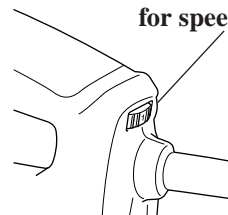
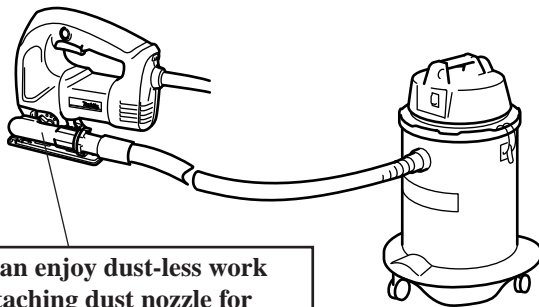
Electronic features



- \* Soft start
- \* Keeping constant speed even under the loaded condition
- \* Pre-setting dial for variable speed control

\* Pre-setting dial for speed control

You can enjoy dust-less work by attaching dust nozzle for connecting with vacuum cleaner

\* Dust nozzle is the standard equipment for Europe

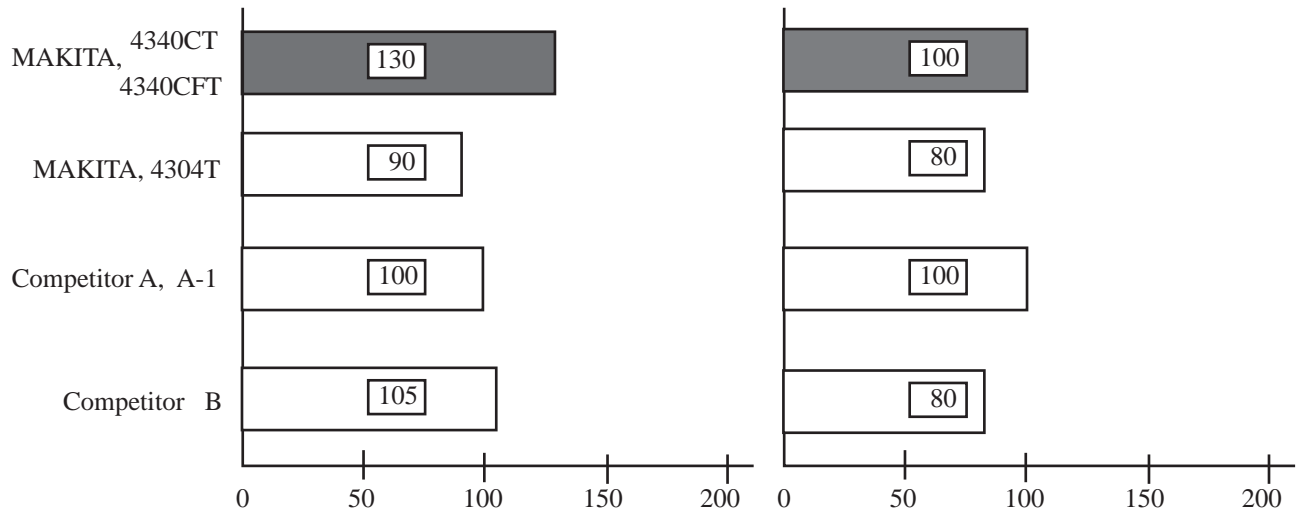


Model No.		MAKITA		Competitor A		Competitor B
		4340CT / FCT	4304T	A-1	A-2	B
Specifications						
Power input : W		<b>720</b>	600	580	650	720
Stroke per min.: spm.(min -1)		<b>800 - 2,800</b>	500 - 3,000	500 - 3,100	500 - 3,000	1,000 - 2,900
Length of stroke : mm (")		<b>26 (1)</b>	26 (1)	26 (1)	26 (1)	26 (1)
Cutting capacity (bevel angle 0°)	Wood : mm (")	<b>135 (5-5/16)</b>	110 (4-5/16)	110 (4-5/16)	110 (4-5/16)	120 (4-3/4)
	Mild steel : mm (")	<b>10 (3/8)</b>	10 (3/8)	10 (3/8)	10 (3/8)	10 (3/8)
Electronic	Pre-setting dial for speed control	<b>Yes</b>	Yes	Yes	Yes	Yes
	Keeping constant speed	<b>Yes</b>	No	No	Yes	Yes
Orbital action		<b>Yes</b>	Yes	Yes	Yes	Yes
Blade shank	B type 	○	○	○	○	○
	M type 	/	○	/	/	/
Tool less blade clamping system	One action clamp type	○	/	/	○	○
	Conventional type	/	○	○	/	/
LED job light		<b>Yes / No</b>	No	No	No	No
Connecting with vacuum cleaner		<b>Yes</b>	Yes	Yes	Yes	Yes
Vibration : m/s <sup>2</sup>	No loaded	<b>3.3</b>	4.8	5.4	—	3.6
	Loaded	<b>8.1</b>	11.9	7.7	—	8.3
Noise : dB (A)	No loaded	<b>83</b>	86	83	—	82
	Loaded	<b>85</b>	88	86	—	88
Dimensions	Length : mm (")	<b>236 (9-1/4)</b>	249 (9-3/4)	275 (10-7/8)	242 (9-1/2)	232 (9-1/8)
	Width : mm (")	<b>73 (2-7/8)</b>	77 (3)	81 (3-3/16)	77 (3)	71 (2-13/16)
	Height: mm (")	<b>204 (8)</b>	204 (8)	202 (8)	197 (7-3/4)	200 (7-7/8)
Protection from electric shock		<b>by double insulation</b>	by double insulation	by double insulation	by double insulation	by double insulation
Cord length : m (ft)		<b>2.5 (8.2)</b>	2.5 (8.2)	2.5 (8.2)	4.0 (13.1)	4.0 (13.1)
Net weight : Kg (lbs)		<b>2.4 (5.3)</b>	2.4 (5.3)	2.4 (5.3)	2.3 (5.1)	2.4 (5.3)
Standard equipments	Plastic carrying case	○	○	○	○	○(-Plus type)
	Blade set	○	○	○	○	○
	Hex wrench	○	○	○	○	
	Dust nozzle	for Europe ○	for Europe ○	○	○	○
	Cover plate	○		○	○	
	Kerf board	○	○	○	○	○

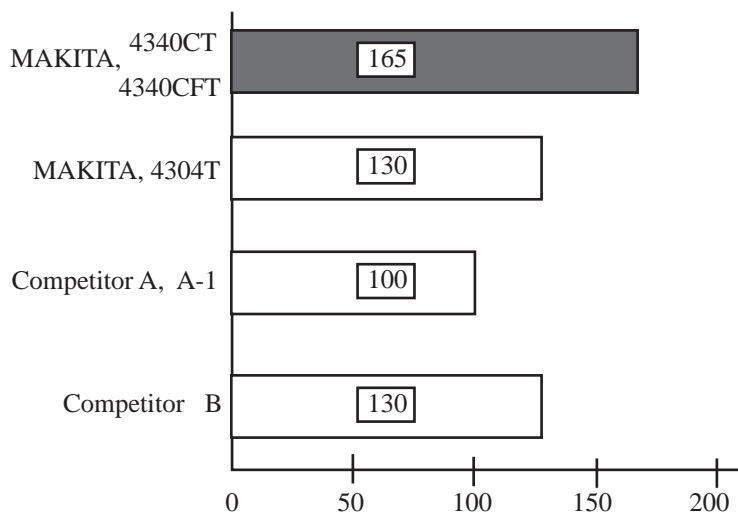
Numbers in graph below are relative values when setting the capacity of competitor A's Mod.A-1 as 100.

Testing conditions	
Jig saw blade B-16L	Tooth length : 150mm (5-7/8") Teeth per inch : 6 T
Setting of orbital	0
Material	Medium Density Fiber Board Thickness : 40mm (1-9/16)

Testing conditions	
Jig saw blade B-22	Tooth length : 50mm (2") Teeth per inch : 24 T
Setting of orbital	0
Material	SPCC Thickness : 3.2mm (1/8)

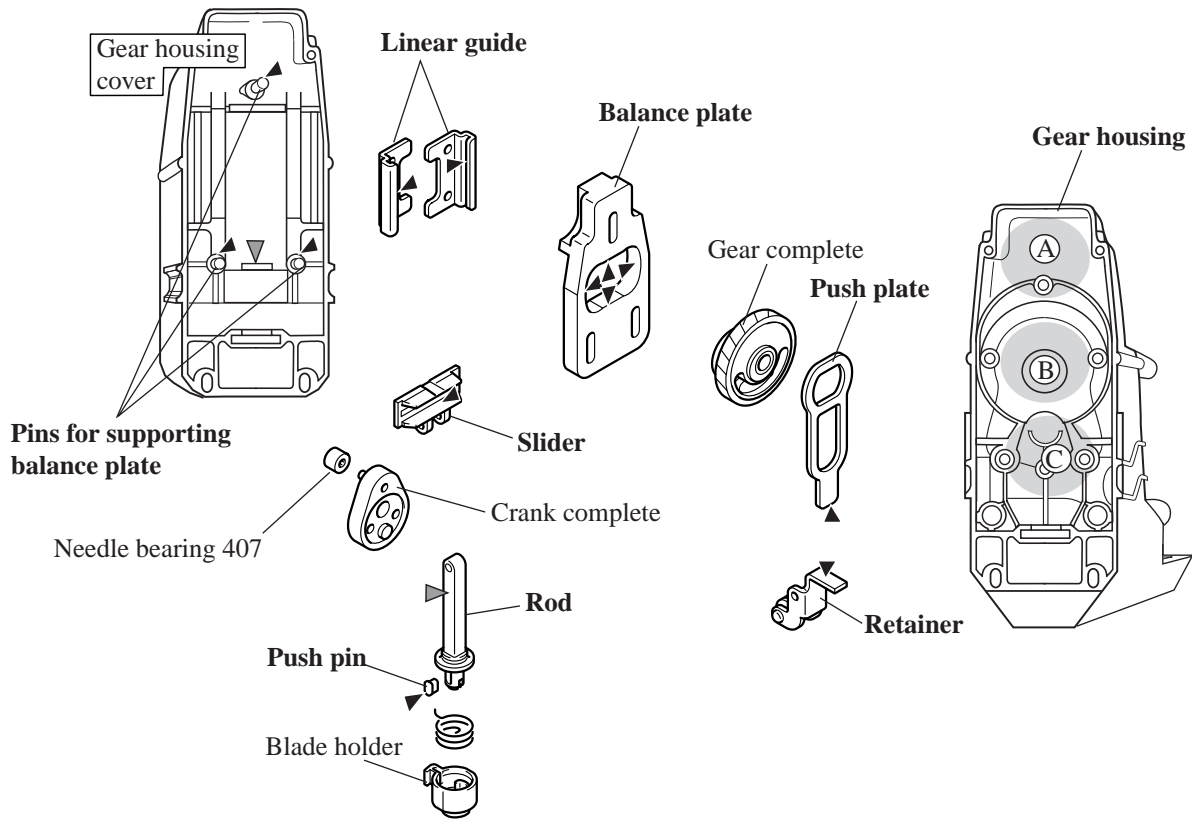


Testing conditions	
Jig saw blade B-16L	Tooth length : 150mm (5-7/8") Teeth per inch : 6 T
Setting of orbital	3
Material	Lauan Thickness : 90mm (3-1/2)



< 1 > Lubrication

Apply MAKITA grease FA. No.2 to the portions marked with black triangle, and machine oil No.120 to the portions marked with gray triangle to protect parts and product from unusual abrasion.



Lubricant to be applied	Parts' name	The portion to be lubricated
MAKITA grease FA. No.2	Gear housing	The positions painted with gray
	Balance plate	The portion where contacts gear complete.
	Gear housing cover	The three pins which supports balance plate.
	Push plate	The portion where contacts retainer.
	Retainer	The portion where contacts push plate.
	Linear guides	The portion where contacts slider.
	Slider	The portion where contacts needle bearing 407.
Machine oil No.120	Push pin	Its whole part
	Gear housing cover	The hole where the rod reciprocates.
	Rod	The portion where contacts dust seal.

< 2 > Disassembling tool opener

1. Separate base from the jig saw unit by unscrewing hex socket head bolt M5x18. See Fig. 1.
2. Unscrew pan head screw M4. Then tool opener and torsion spring 6 can be disassembled. See Fig. 1A.

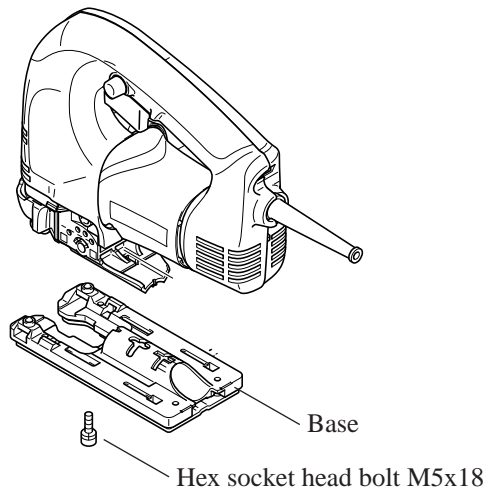


Fig. 1

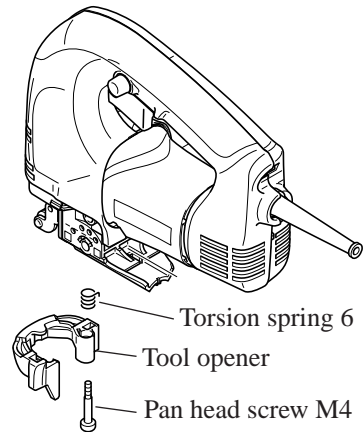


Fig. 1A

< 3 > Assembling tool opener

1. Put torsion spring 6 into tool opener . And fasten tool opener with pan head screw M4. See Fig. 1A above.
2. Bring the tail of torsion spring 6 which is extruding from tool opener, to the original position by turning it clockwise. See Fig. 2.

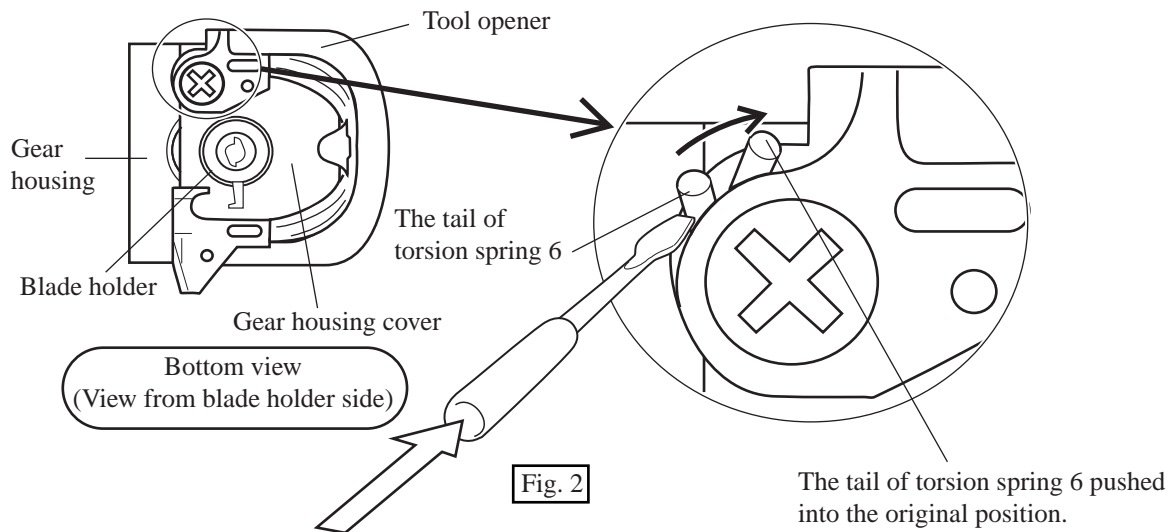


Fig. 2

< 4 > Disassembling handle section (Model 4340T / 4340CT / 4340FCT)

1. Separate handle R from handle L by unscrewing the following screws. See Fig. 3.

- 1 pc. of tapping screw 4x40,
- 1 pc. of tapping screw M4x50
- 5 pus. of tapping screws 4x8.

**< Note in disassembling >**  
**Handles R and L have spikes respectively for fixing on motor housing.**  
**Be careful, not to break them, when disassembling.**

5 pus. of tapping screws 4x8.

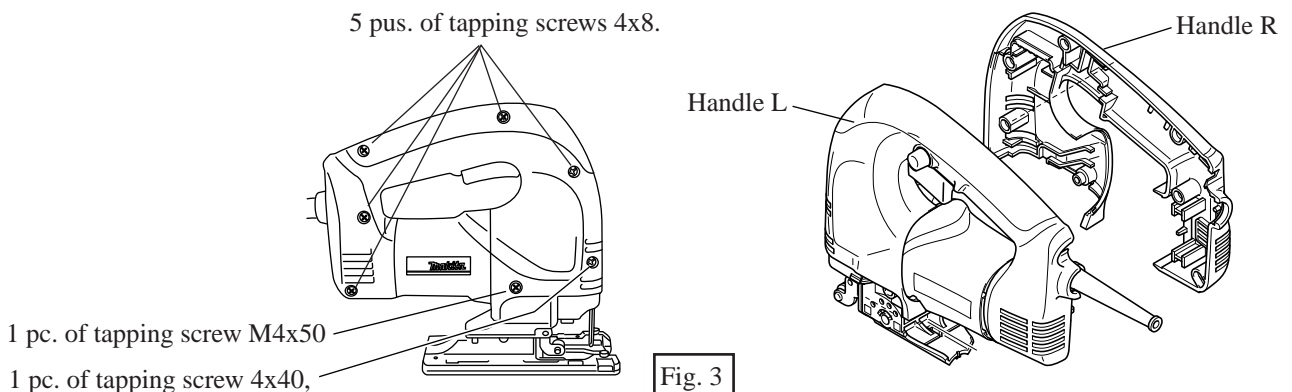


Fig. 3

2. After removing lead wires (black and white) from lead holder, separate handle L from motor housing.

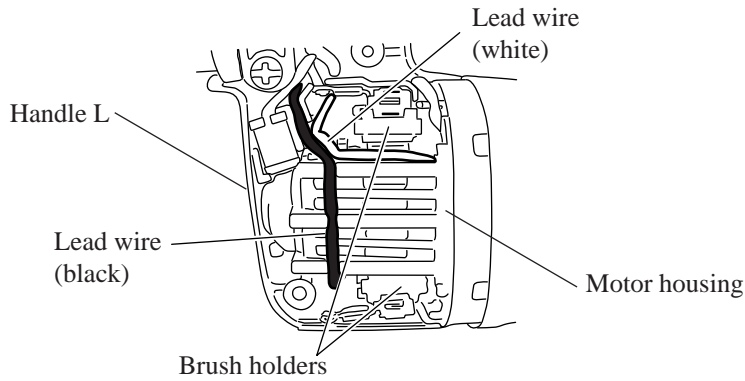


Fig. 4

< 5 > Disassembling gear housing cover section

1. After taking off safety wire from gear housing cover, unscrew 4 pcs. of tapping screws CT 4 x 16. Then, gear housing cover can be separated from gear housing. See Fig. 5.

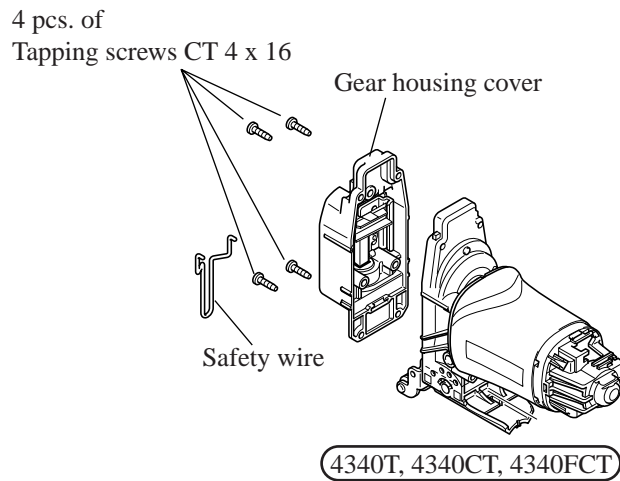


Fig. 5

2. Take off stop ring E-3 with small flat head screwdriver. And push slider to the lower dead point. See Fig. 6.

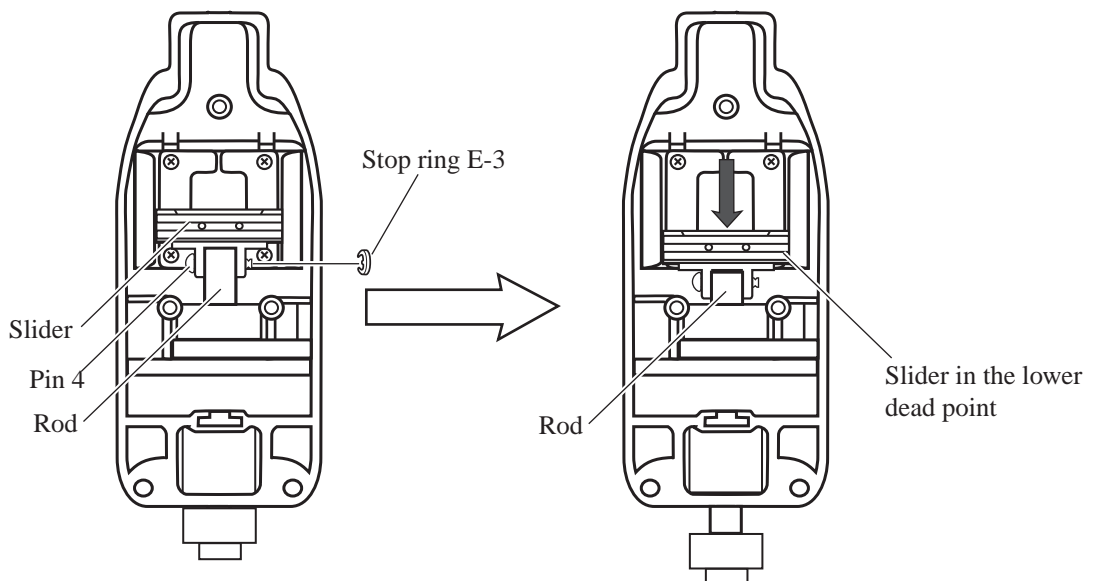


Fig. 6

3. Slide pin 4 in order to disconnect rod with slider. And then, pull out rod from gear housing cover.  
Disassemble linear guides by unscrewing 4 ps. of pan head screws M4 x 10. So, leaf spring, pin 4 and slider can be disassembled from gear housing cover. See Fig. 7.

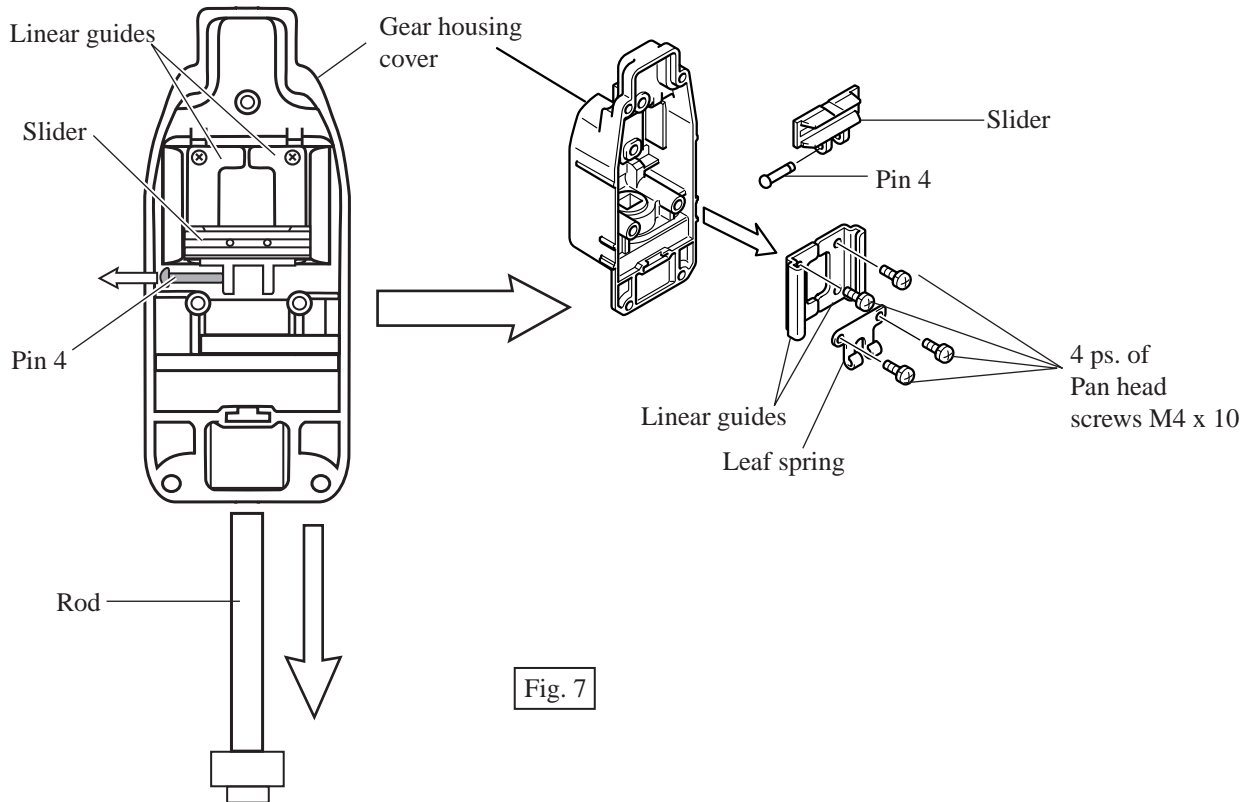


Fig. 7

< 6 > Assembling gear housing cover section

1. Assemble tool opener to gear housing cover with referring to Fig. 1A and Fig. 2 at page 6.
2. Put leaf spring in gear housing cover, paying attention to its assembling direction as illustrated in Fig. 8. And insert rod into gear housing cover, paying attention to the direction of hook of blade holder as illustrated in Fig. 8A.

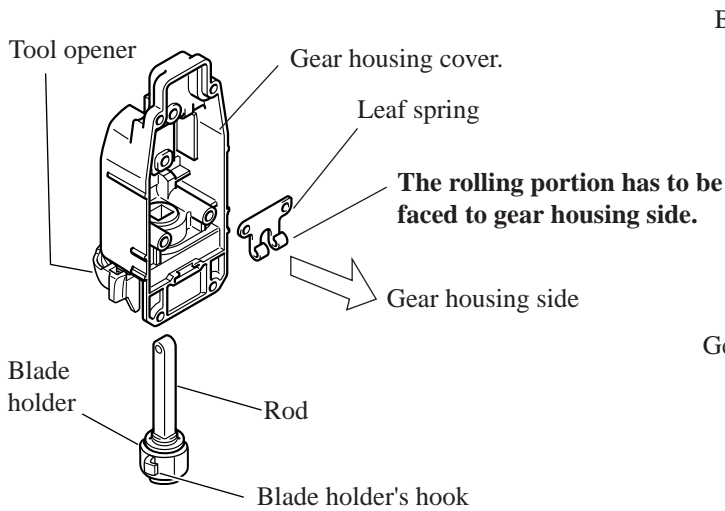


Fig. 8

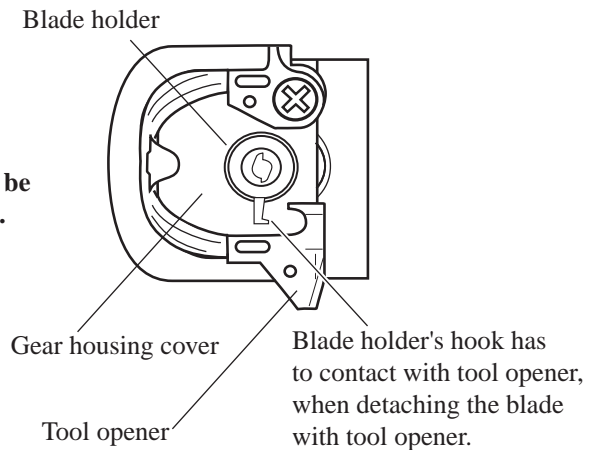
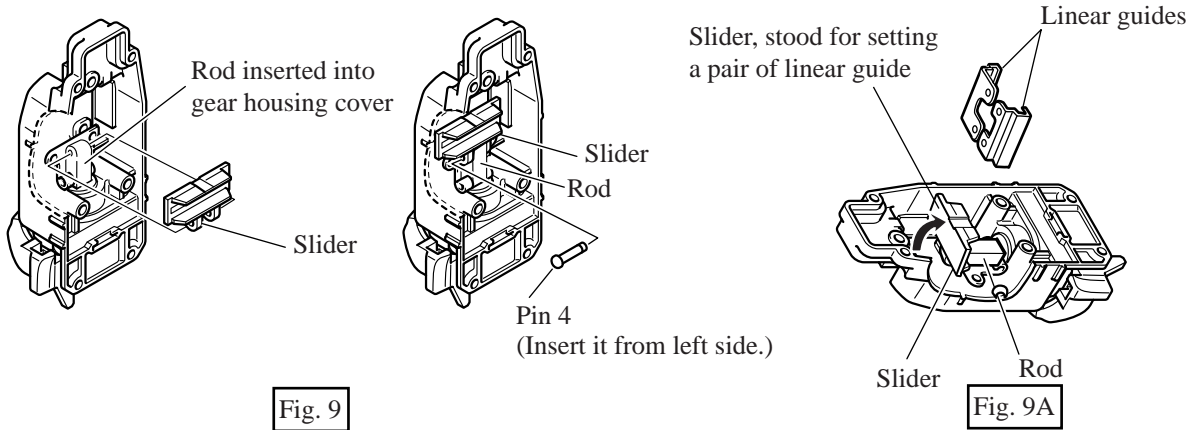


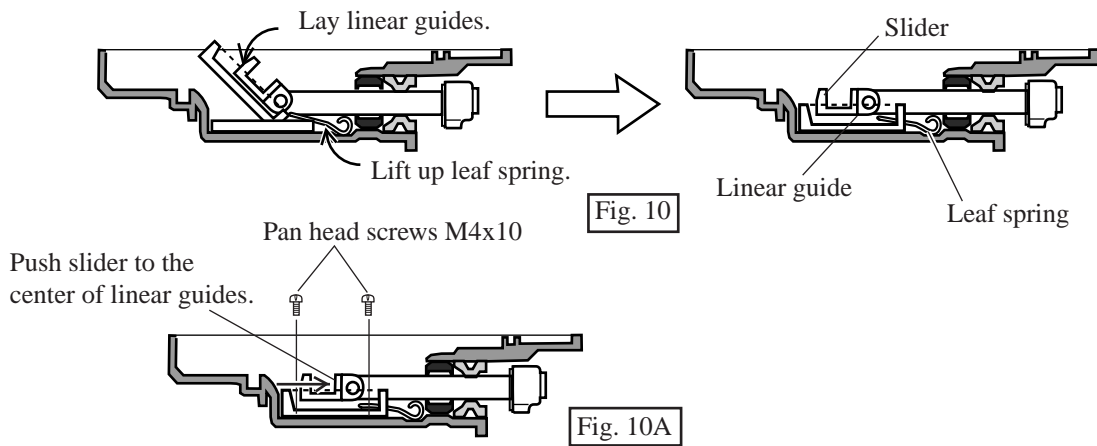
Fig. 8A



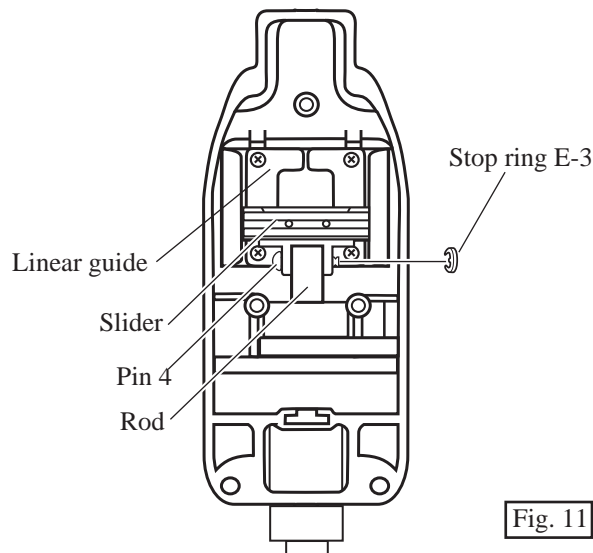
- Align the hole of slider and the same of rod, and insert pin 4 into the aligned holes from left side as illustrated in Fig. 9.  
Stand slider and insert a pair of linear guide as illustrated in Fig. 9A.



- Lifting up leaf spring, lay a pair of linear guide in order to position leaf spring on linear guides as illustrated in Fig. 10.  
And push slider to the center of linear guides. Fasten linear guides with 4 pcs. of pan head screws M4 x 10 as illustrated in Fig. 10A.



- Assemble stop ring E-3 to pin 4 as illustrated in Fig. 11.  
Check, whether slider can reciprocate on linear guide smoothly, or not.  
If slider does not reciprocate smoothly, incorrectly assembled linear guides can interfere with slider in reciprocating. Try again to assemble linear guides correctly.



5. Lubricate the parts assembled in gear housing cover with referring to "< 1 > Lubrication " at page 5.
6. Aligning slider to needle bearing 407 on crank complete, assemble gear housing cover section to gear housing as illustrated in Fig. 11 . Do not forget to assemble packing between gear housing cover and gear housing. See Fig.11A

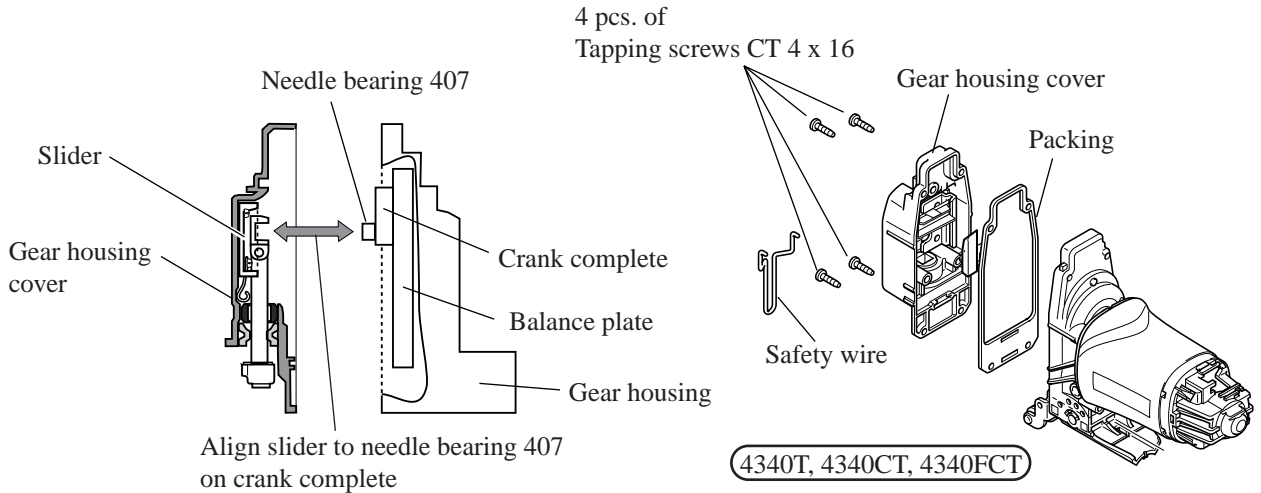


Fig. 11

Fig. 11A

< 7 > Disassembling blade holder

1. Disassemble rod with referring to "< 5 > Disassembling gear housing cover section" at page 8.
2. Disassemble dust cover, and then disassemble retaining ring R-18. as illustrated in Fig. 12. So blade holder and torsion spring 15 can be separated from rod as illustrated in Fig. 12A.

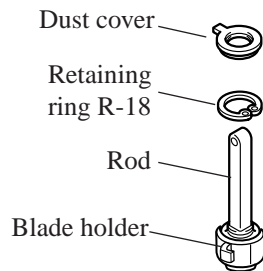


Fig. 12

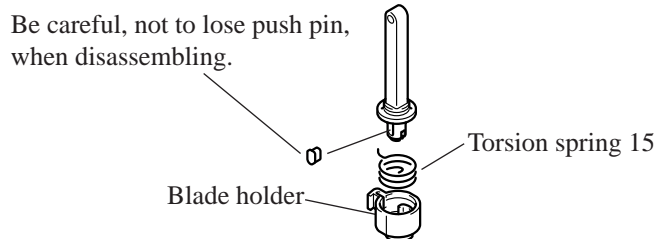


Fig. 12A

< 8 > Assembling blade holder

1. Apply MAKITA grease FA No.2 to push pin and set it in the hole of rod. And assemble torsion spring 15 to rod by inserting its tail shown in Fig. 13 into the hole of rod.
2. Set blade holder to rod as illustrated in Fig. 14. And bring the tail of torsion spring 15 to the space A of blade holder as illustrated in Fig. 15.

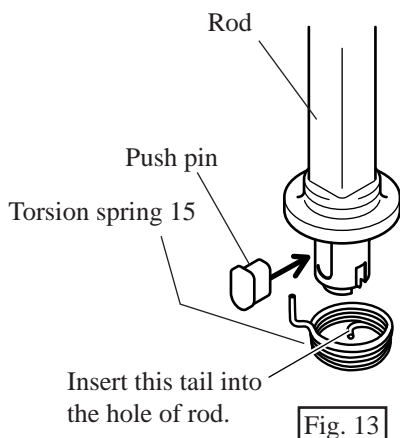


Fig. 13

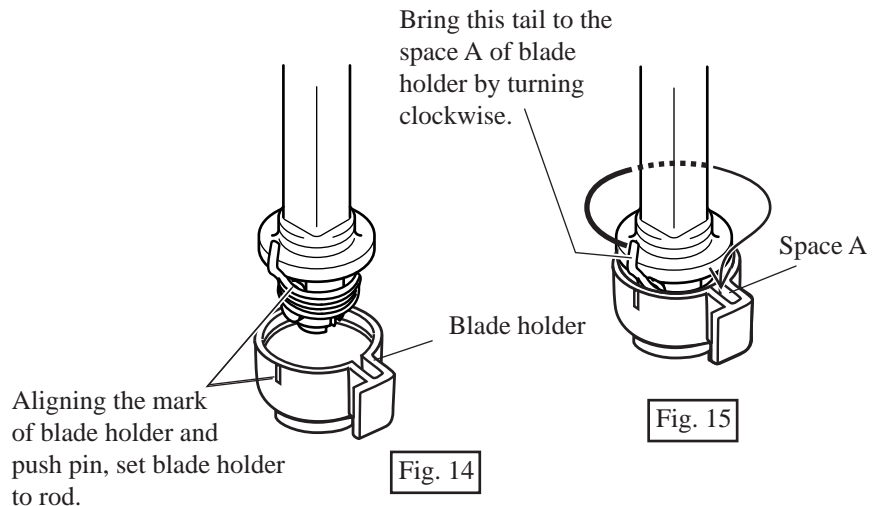
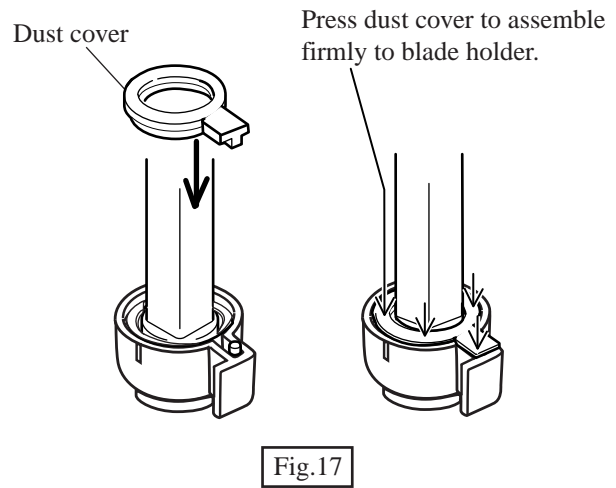
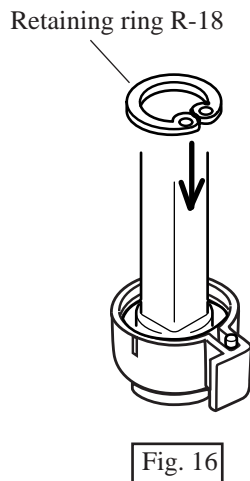


Fig. 14

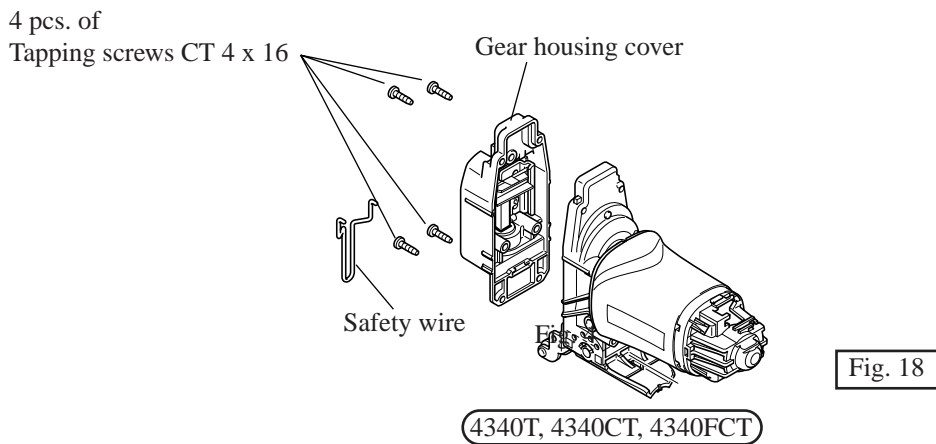
Fig. 15

3. Push rod into blade holder, and assemble retaining ring R-18 to the groove in blade holder as illustrated in Fig. 16.
4. Assemble dust cover as illustrated in Fig.17.



< 9 > Disassembling parts in gear housing

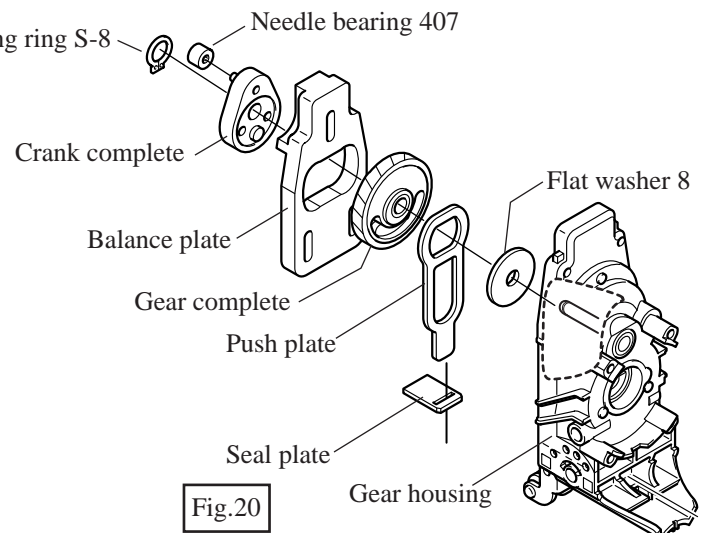
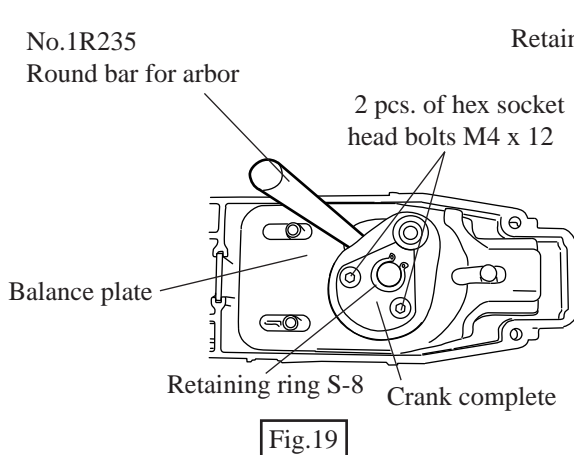
1. After taking off safety wire from gear housing cover, unscrew 4 pcs. of tapping screws CT 4 x 16. Separate gear housing cover from gear housing. See Fig. 18.



2. Locking crank complete with something bar-formed metal, unscrew 2 pcs. of hex socket head bolts M4 x 12 as illustrated in Fig.19.
3. Disassemble retaining ring S-8. Then, the inner parts can be disassembled from gear housing as illustrated in Fig.20.

< Note in disassembling >

**2 pcs. of hex socket head bolts M4 x 12 are adhesive bolts.  
It is recommended to unscrew them with impact driver.**



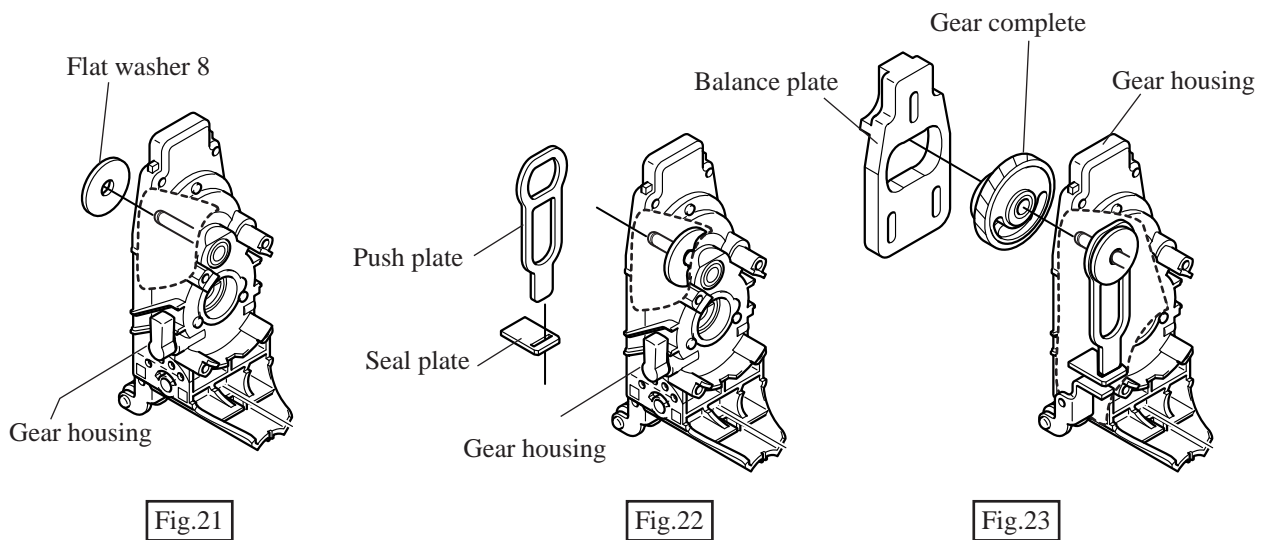
< 10 > Assembling parts in gear housing

1. Assemble flat washer 8 to the shaft in gear housing. See Fig. 21.
2. After assembling seal plate to push plate, assemble them to the shaft in gear housing. See Fig. 22.
3. Lubricate the parts with referring to " < 1 > Lubrication " at page 5.
4. Assemble gear complete and balance plate to the shaft in gear housing. See Fig. 23.
5. Assemble crank complete to gear housing. With turning crank complete, press it down to the position in which you can see the shaft's groove for retaining ring S-8. See Fig. 24.  
( With turning crank complete, press it down to the position in which you can see the shaft's groove for retaining ring S-8. )
6. Lock crank complete with something like 1R235 "round bar for arbor", and fasten crank complete with 2 pcs. of hex socket head bolts M4 x 12 with adhesive. See Fig. 25.

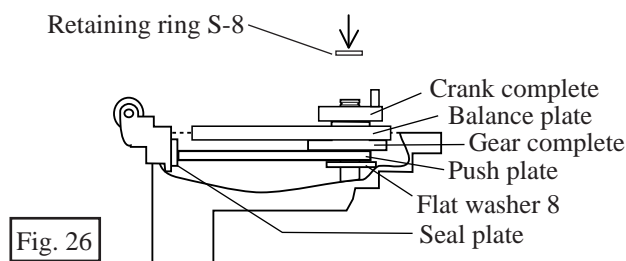
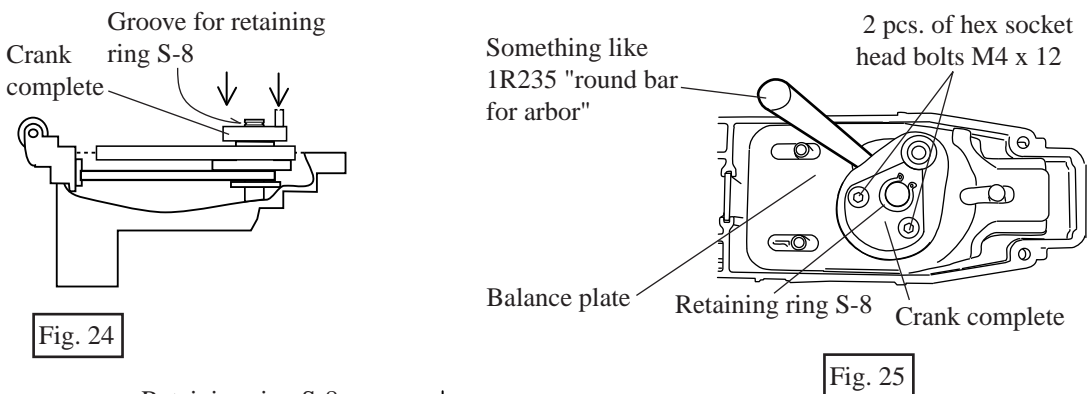
< Note >

**Do not fasten with the used hex socket head bolts M4 x 12. The fresh adhesive hex socket head bolts M4 x 12 have to be used. The fastening torque of these bolts is 2.4 - 3.5 N.m.**

7. Assemble retaining ring S-8 to the shaft of gear housing. See Fig. 26.



Press crank complete down to the position where you can see the shaft's groove for retaining ring S-8.



< 11 > Disassembling armature (4340T, 4340CT, 4340FCT)

1. With referring to the following section, disassemble handle L and R, and gear housing cover.

"< 4 > Disassembling handle section" at page 6

"< 5 > Disassembling gear housing cover section" at page 7

2. Disassemble retaining ring S-8, and separate crank complete and balance plate from the shaft of gear housing as illustrated in Fig. 27.

< Note in disassembling >

\* No need to disassembling hex socket head bolt M4 x 12 and crank complete from balance plate.

\* Be careful, not to lose needle bearing 407.

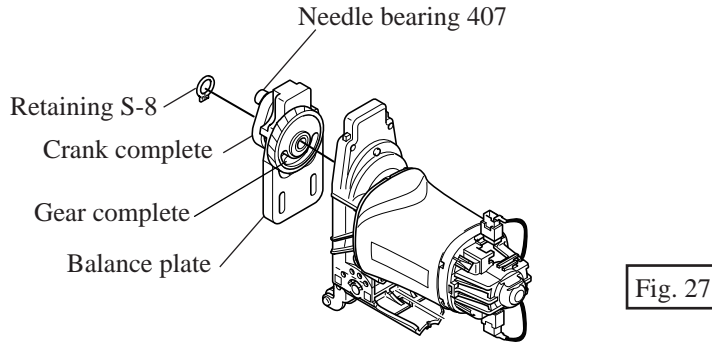


Fig. 27

3. Unscrew 4 pcs. of tapping screws M4 x 30, and separate gear housing from motor housing. Separate armature from gear housing as illustrated in Fig. 28.

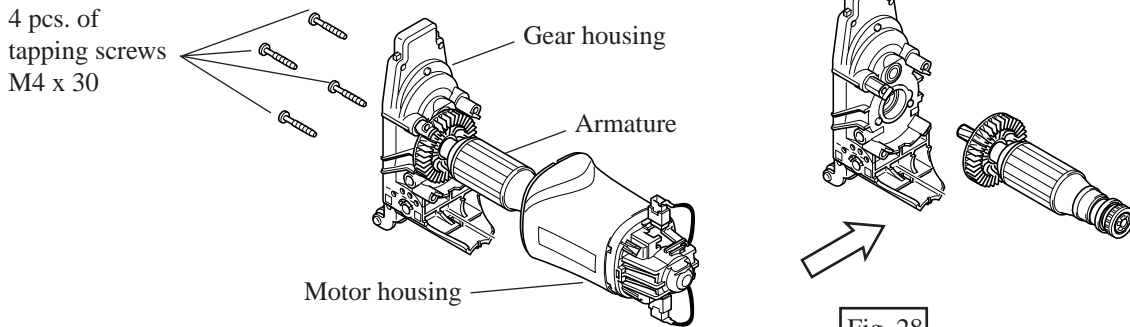


Fig. 28

4. Disassemble self lock with small flat head screwdriver. Then, magnet sleeve, wave washer 6 and rubber ring 19 can be disassembled from armature shaft as illustrated in Fig. 29.

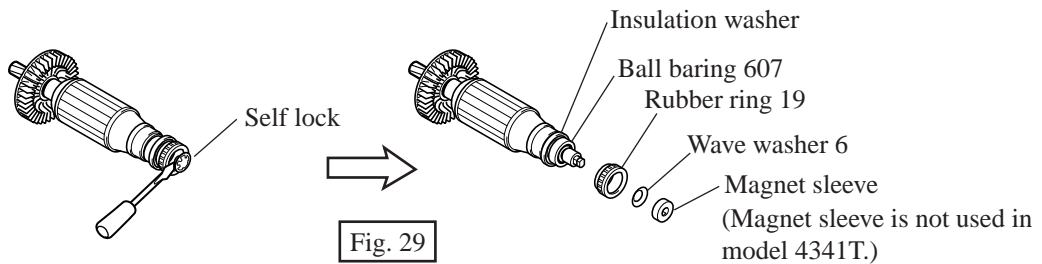


Fig. 29

5. Disassemble ball bearing 607 LLB from armature shaft as illustrated in Fig. 30.

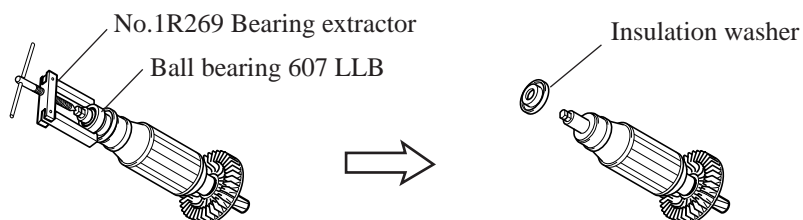


Fig. 30

< 12 > Disassembling lever 17 ( for orbital action mode change)

1. With referring to the following section, disassemble handle L and R, or head cover L and R, and gear housing cover.

"< 4 > Disassembling handle section" at page 6 (for 4340T, 4340CT, 4340FCT)

"< 5 > Disassembling gear housing cover section" at page 7

2. Disassemble stop ring E-5 from the shaft portion of lever 17 with small flat head screwdriver. See Fig. 35.

3. Aligning lever 17 with indication " III ", pull out it from gear housing. Then, cap 5 and compression spring 3 are disassembled. See Fig. 35.

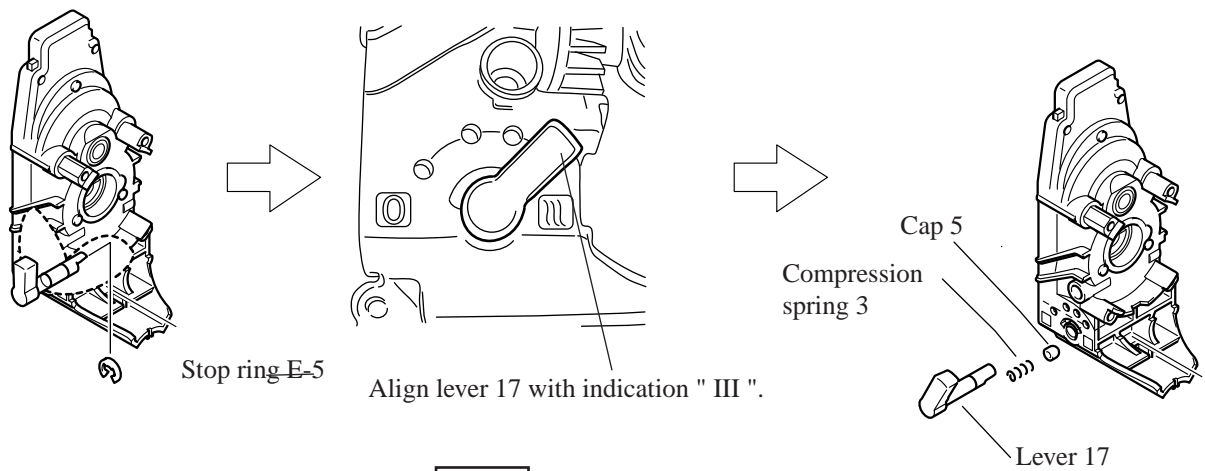





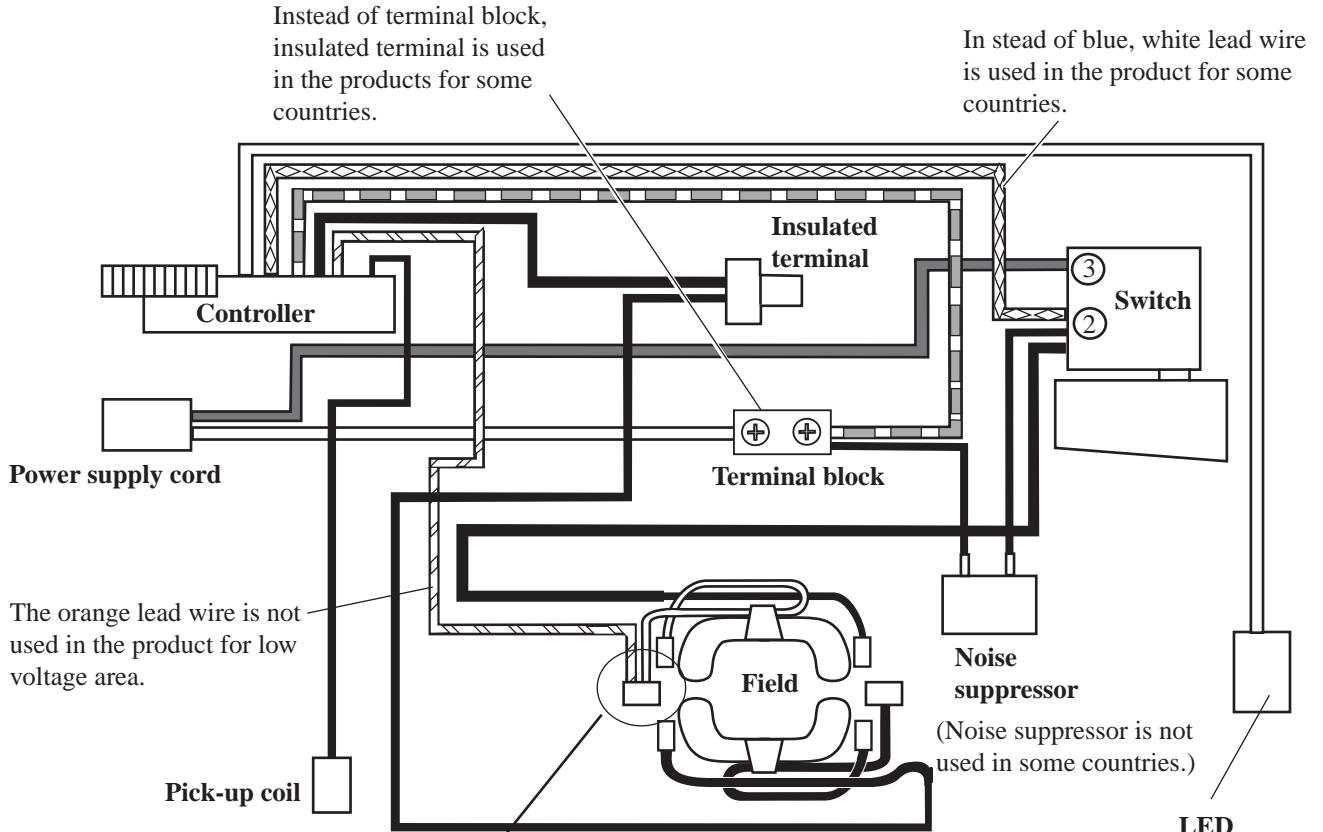


Fig. 35

Model 4340FCT (with controller and LED job light)  
 Model 4340CT ( with controller, without LED job light)

Color index of lead wires			
Black		Orange	
White		Blue	
Red			



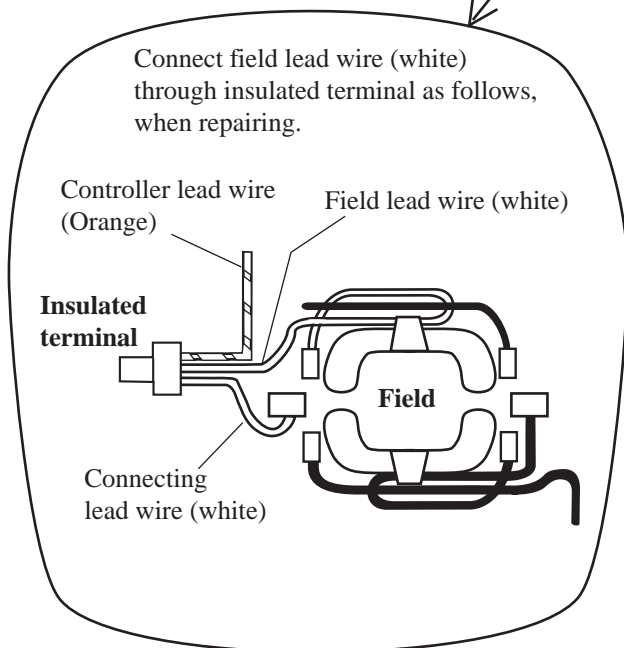
Instead of terminal block, insulated terminal is used in the products for some countries.

In stead of blue, white lead wire is used in the product for some countries.

The orange lead wire is not used in the product for low voltage area.

(Noise suppressor is not used in some countries.)

LED job light is not installed in model 4340CT and 4341CT.






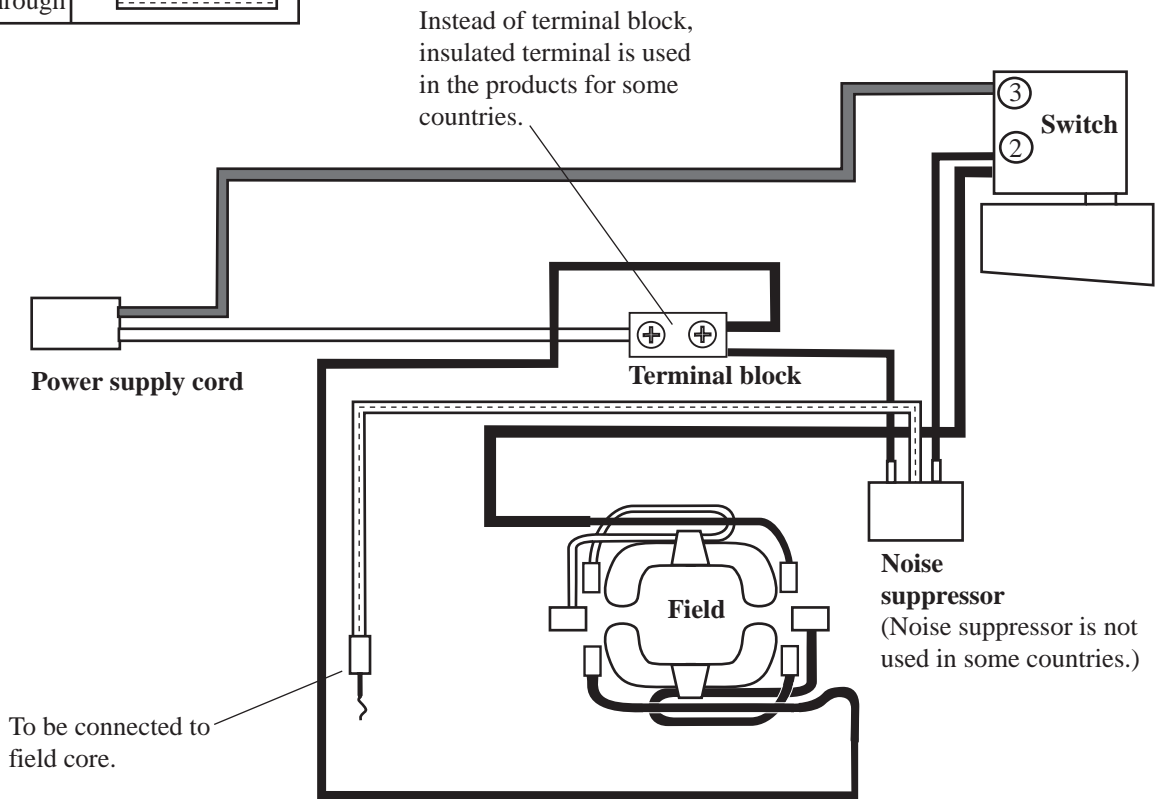
Connect field lead wire (white) through insulated terminal as follows, when repairing.

Controller lead wire (Orange)  
 Field lead wire (white)  
 Insulated terminal  
 Connecting lead wire (white)  
 Field

## ▶ Circuit diagram

Model 4340T (without controller and LED circuit)

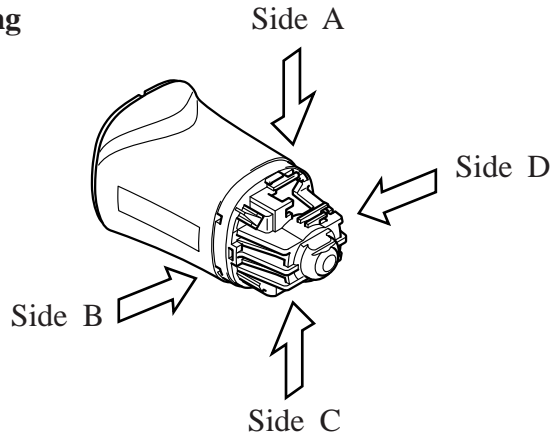
Color index of lead wires	
Black	
White	
See-through	





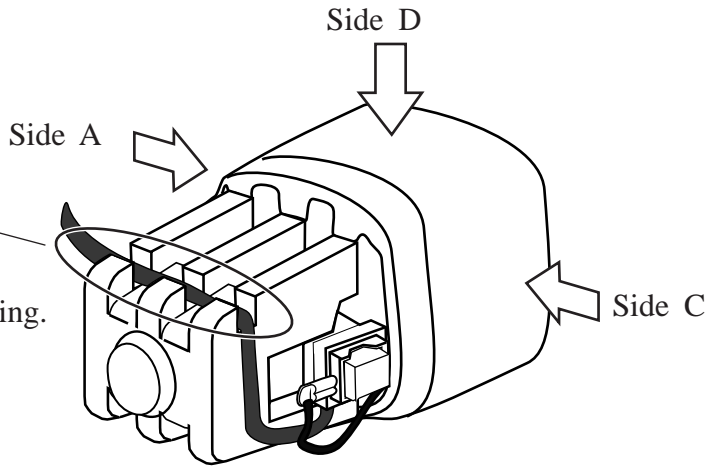
### ▶ Wiring diagram in motor housing

4340T, 4340CT and 4340FCT

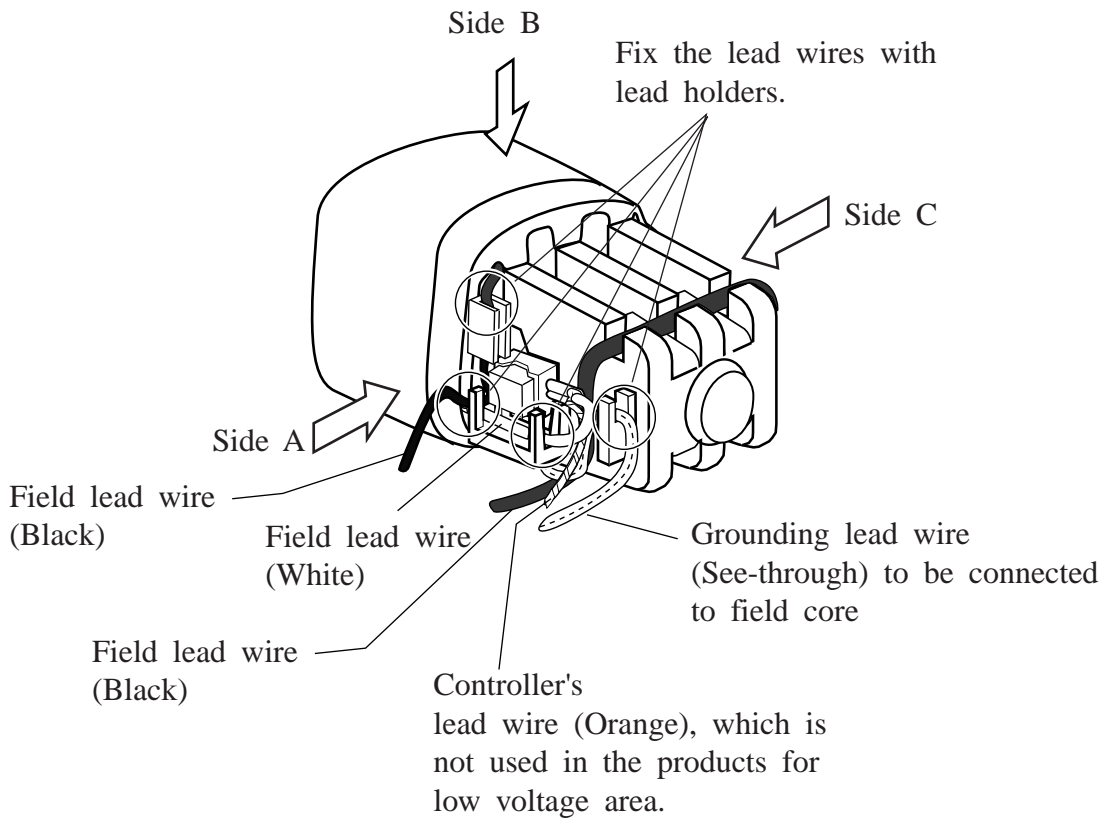


Fix lead wires from the rear portion of motor housing to handle, with lead holder.

And do not slack the lead wires in motor housing.

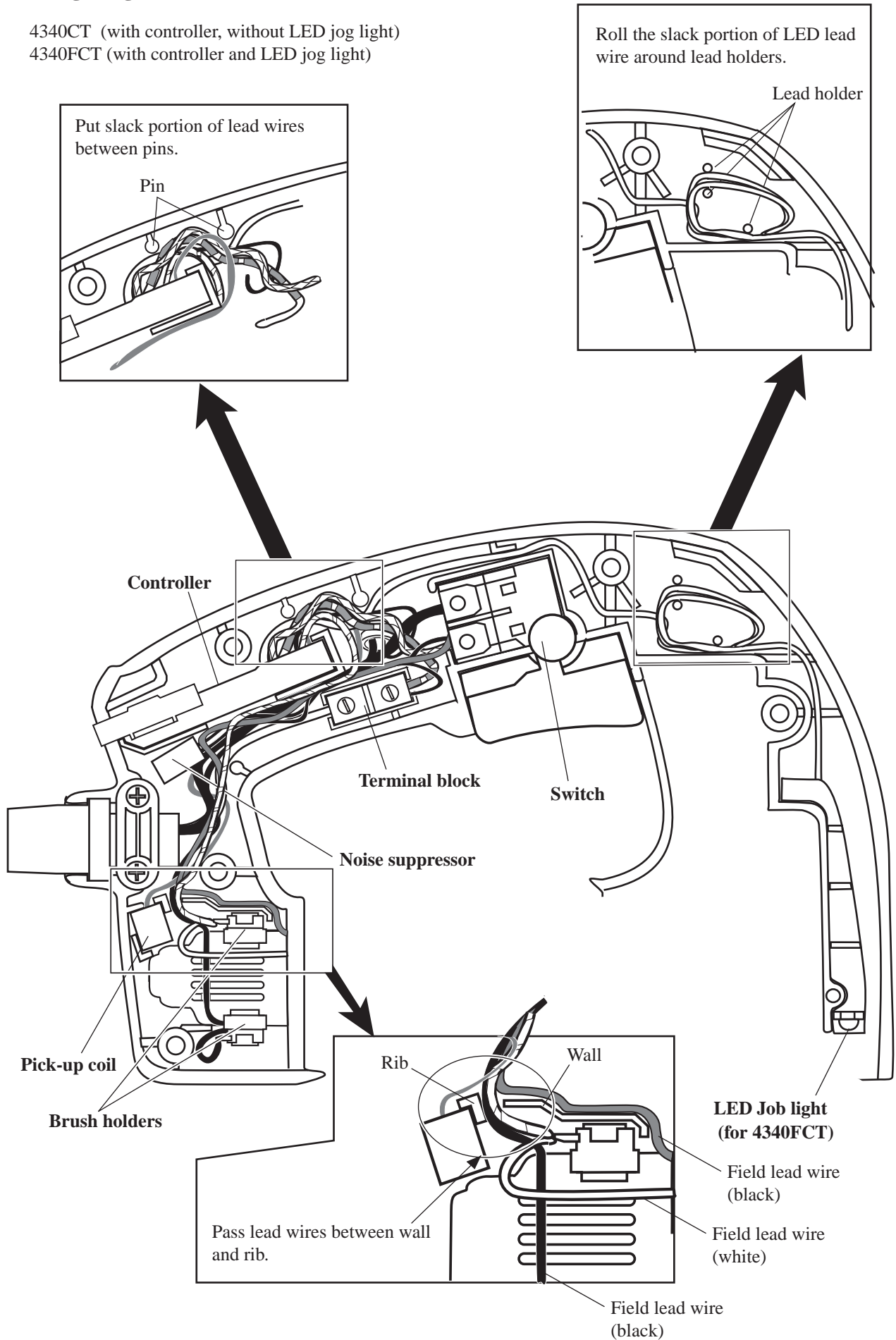


Fix the lead wires with lead holders.



# ▶ Wiring diagram in handle section

4340CT (with controller, without LED jog light)  
4340FCT (with controller and LED jog light)



▶ **Wiring diagram in handle section**

4340T (without controller, without LED jog light)

